

FRONT MOUNTED ROTARY OPERATOR STANDARD
IEC IP30/40 ACCESSORY FOR: 3VA1 100/160



Model		
product brand name		SENTRON
Design of handle		Gray
Protection class IP		IP30
Product details		
Product component / axis extension		No
Product feature / lockable		Yes
Accessories		
accessories		Direct rotary operating mechanism
Height	mm	70
Depth	mm	94
Net weight	g	197

General Product Approval	Declaration of Conformity	Test Certificates	other
--------------------------	---------------------------	-------------------	-------



EG-Konf.

[Typprüfbescheinigung/W
erkszeugnis](#)

[sonstig](#)

Further information

Information- and Downloadcenter (Catalogs, Brochures,...)

<http://www.siemens.com/lowvoltage/catalogs>

Industry Mall (Online ordering system)

<https://eb.automation.siemens.com/mall/en/WW/Catalog/Product/3VA91570EK11>

Service&Support (Manuals, Certificates, Characteristics, FAQs,...)

<http://support.automation.siemens.com/WW/view/en/3VA91570EK11/all>

Image database (product images, 2D dimension drawings, 3D models, device circuit diagrams, ...)

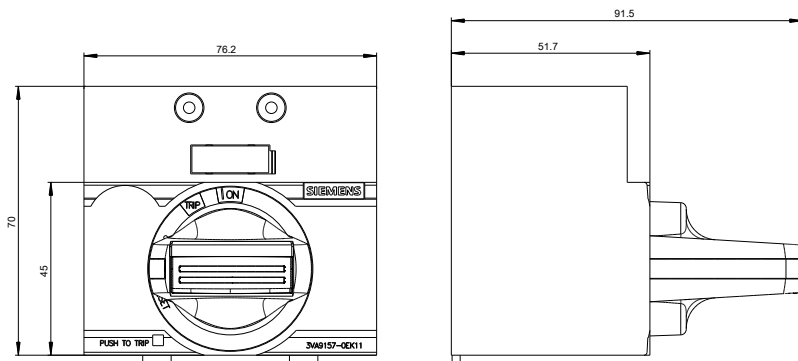
http://www.automation.siemens.com/bilddb/cax_en.aspx?mlfb=3VA91570EK11

CAX-Online-Generator

<http://www.siemens.com/cax>

Tender specifications

<http://ausschreibungstexte.siemens.com/tiplv>



last modified:

13.04.2016